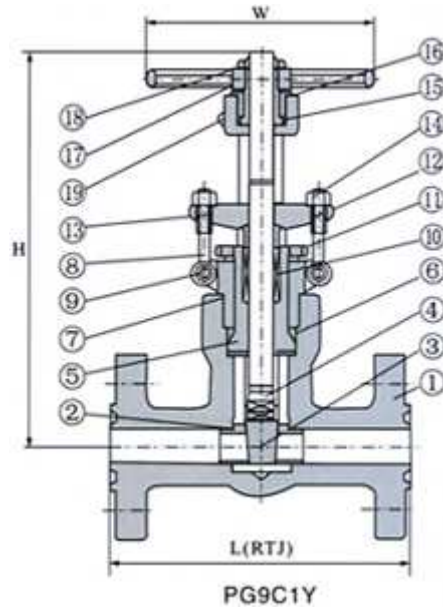




FLANGED END PRESSURE SEAL GATE VALVE 900LB~2500LB



Features:

## Flanged End Pressure Seal Gate Valve 900Lb~2500Lb

### Standard Material Specifications

NO.	Part Name	CS to ASTM	AS to ASTM	SS to ASTM	
		Type A105	Type F22	Type F304(L)	Type F316(L)
1	Body	A105	A182 F22	A182 F304(L)	A182 F316(L)
2	Seat	A276 420	A276 304	A276 304(L)	A276 316(L)
3	Wedge	A276 410 & 430	a182 F304	A182 F304(L)	A182 F316(L)
4	Stem	A182 F6	A182 F304	A182 F304(L)	A182 F316(L)
5	Pressure Seat	A105	A182 F304	A182 F304(L)	F316(L)
6	Pressure Ring	A276 304L			A276 316L
7	Bonnet	A105	A182 F22	A182 F304(L)	A182 F316(L)
8	Gland Eyebolt	A193 B7	A193 B16	A193 B8	A193 B8M
9	Pin	A276 420		A182 F304	
10	Stem Packing	Flexible Graphite		PTFE	
11	P.S.Lock Nut	A194 2H	A194 4	A194 8	A194 8M
12	Gland	A276 F420		A182 F304	



13	Gland Flange	A216 WCB		A351 CF8	
14	Nut	A194 2H	A194 4	A194 8	A194 8M
15	Yoke Nut	A276-410			
16	Retaining Nut	A194 2H	A194 4	A194 8	A194 8M
17	Handwheel	A197			
18	H.W.Lock Nut	A194 2H	A194 4	A194 8	A194 8M
19	Oil Cup	Brass			
Suitable Medium		W.O.G.etc	W.O.G.etc	HNO <sub>3</sub> ,CH <sub>3</sub> OOH etc	
Suitable Temperature		-29~425	-29~550	-29~180	

**Note:** Other materials are available upon request.

### Dimensions (mm) and Weights (Kg)

NPS		1/2"	3/4"	1"	1/4"	1-1/2"	2"
L(RTJ)	900Lb 1500Lb	216	229	254	279	305	368
	2500Lb	264	273	308	349	384	451
H(OPEN)	900Lb 150Lb	216	250	270	320	350	445
	2500Lb	321	321	321	373	406	495
W		160	160	180	200	250	280
Weights	900Lb 1500Lb	19.6	21.5	25.7	37.8	48.5	99.8
	2500Lb	21.5	24.7	30.4	48.1	58.1	130.0